

# TOILET ROLL HOLDER WP148



140 x 110 x 90 mm  
for 1 toilet roll

- Toilet roll holder in robust, germ-reducing and easy-care stainless steel (AISI 304).
- All-stainless steel construction, visible surfaces satin finished and brushed.  
Further available surfaces: see below.
- Designed for one standard toilet roll with dimensions:  
Outer diameter max. 125 mm  
Width max. 100 mm  
Core diameter min. 38 mm
- Accessible for refilling by unlocking the center axis.
- Keyed alike cylinder lock in corrosion-resistant zinc die-casting.
- Wear parts can be replaced as modules.
- Mounting: With two screws through fixing holes in the back wall.
- Delivery includes fixing material.
- Weight, including single package: 0.7 kg

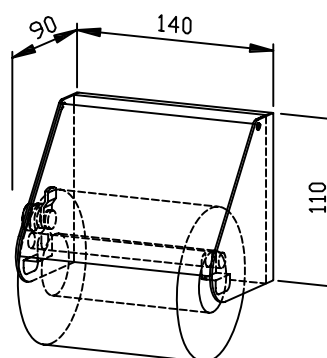


## Suggested text for specifications:

Toilet roll holder in stainless steel (AISI 304) for surface mounting. All-stainless steel construction, visible surfaces satin finished and brushed. Designed for one standard toilet roll. Accessible for refilling by unlocking the center axis. Keyed alike cylinder lock in corrosion-resistant zinc die-casting. Delivery includes fixing material.

Dimensions: 140 x 110 x 90 mm

Article No. WP148



Available surfaces	ID No.
satin finished (standard)	764 190
highly polished	731 190
(coloured) plastic powder-coating	728 190

## Ernst Wagner GmbH & Co. KG

Ernst-Abbe-Straße 21 · D-72770 Reutlingen · Tel.: +49712151539-0 · Fax: -20  
info@wagner-ewar.de · www.wagner-ewar.de

WAGNER  
E W A R